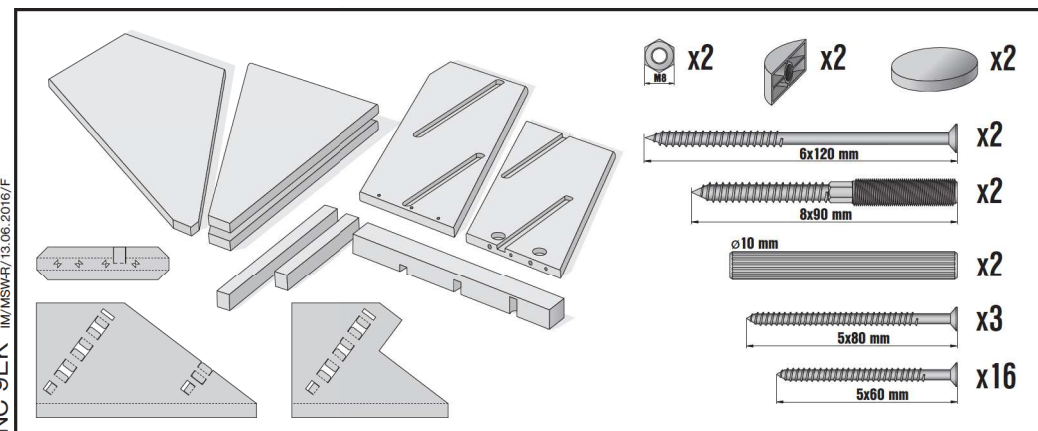
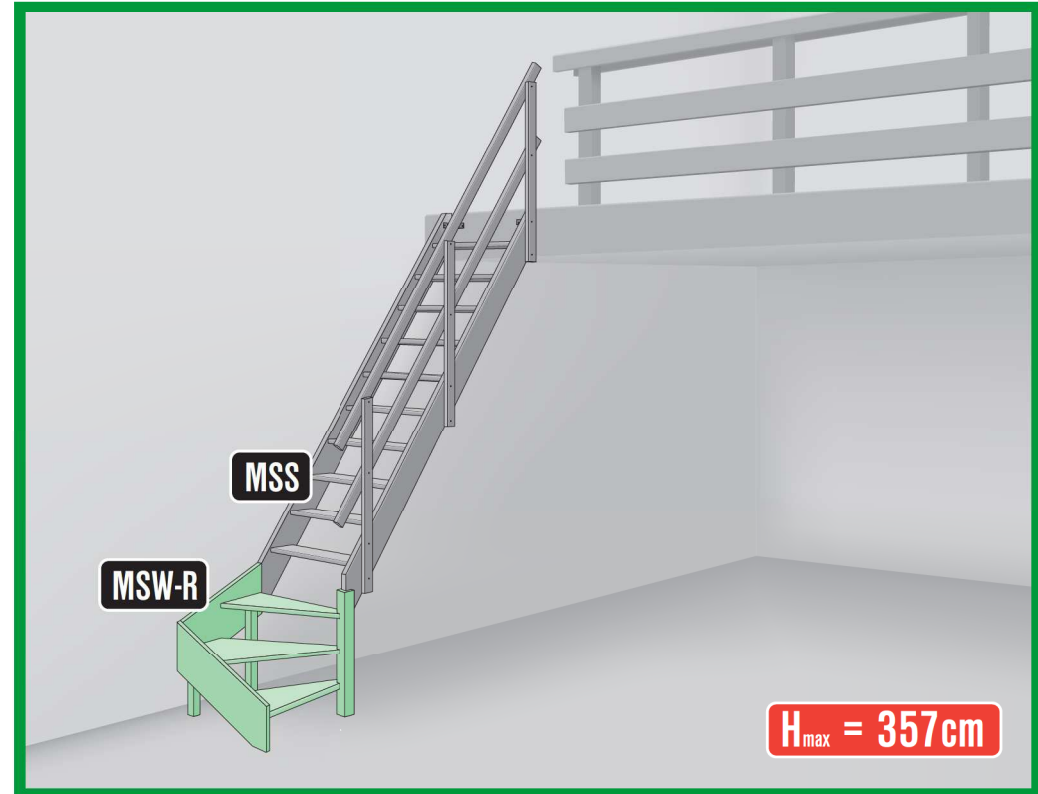
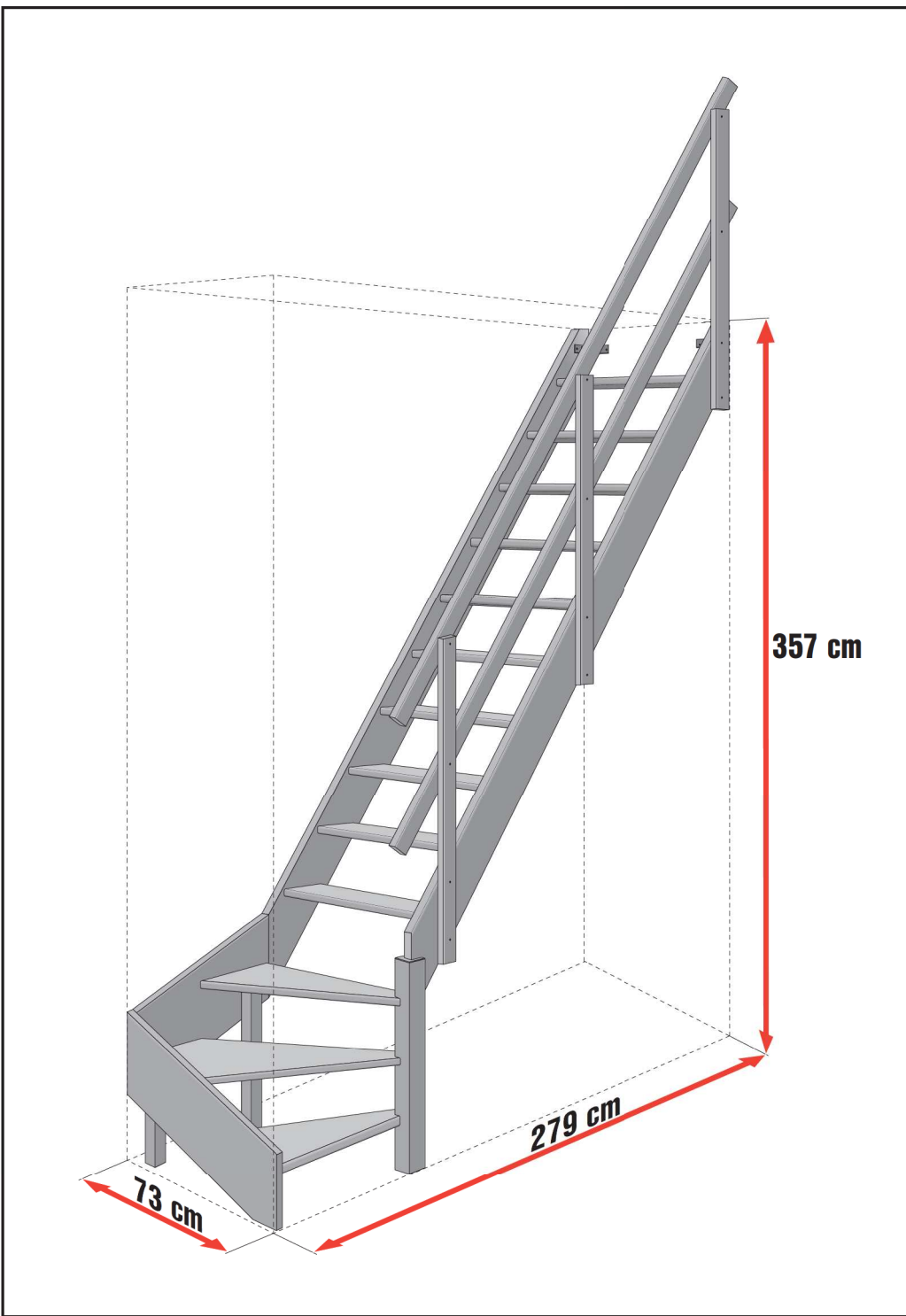
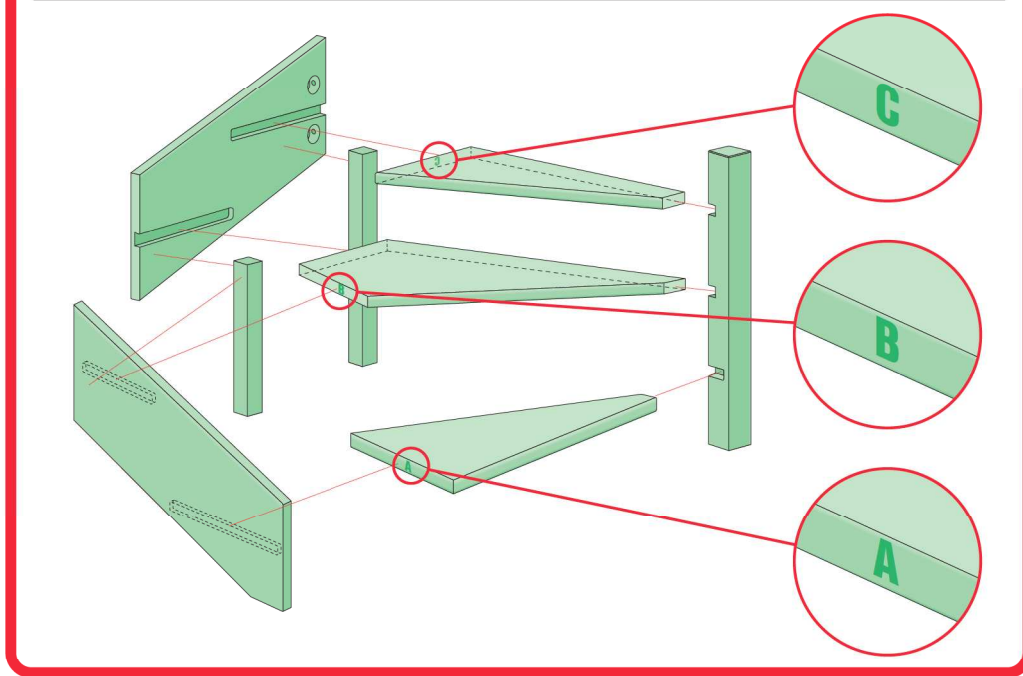
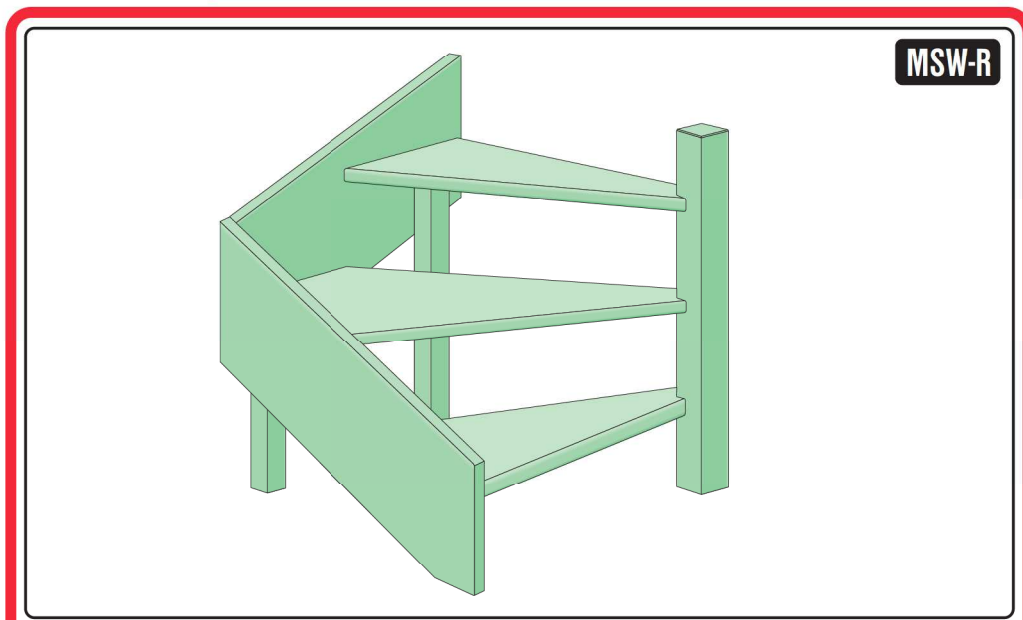
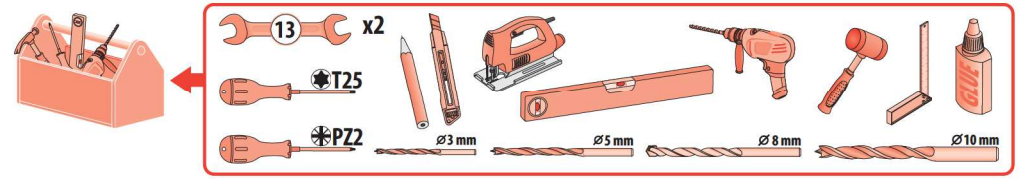
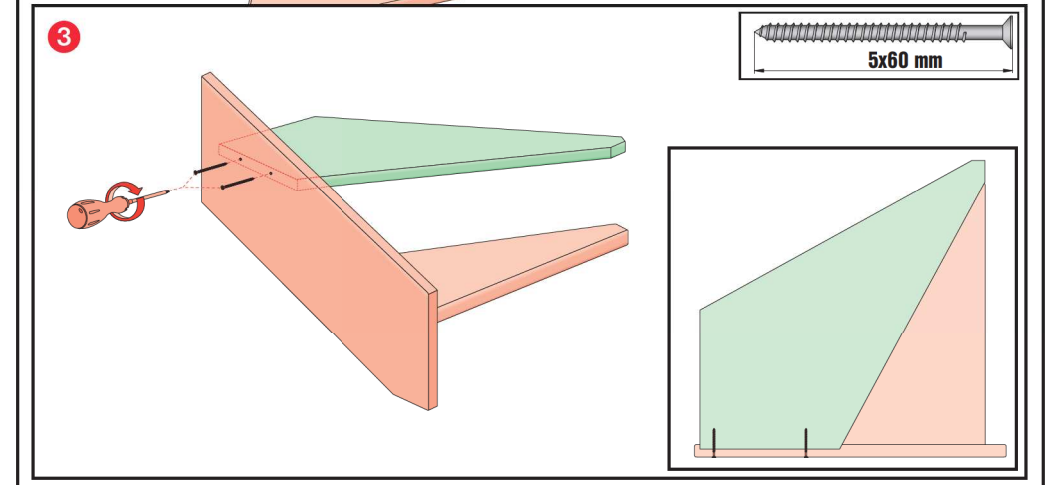
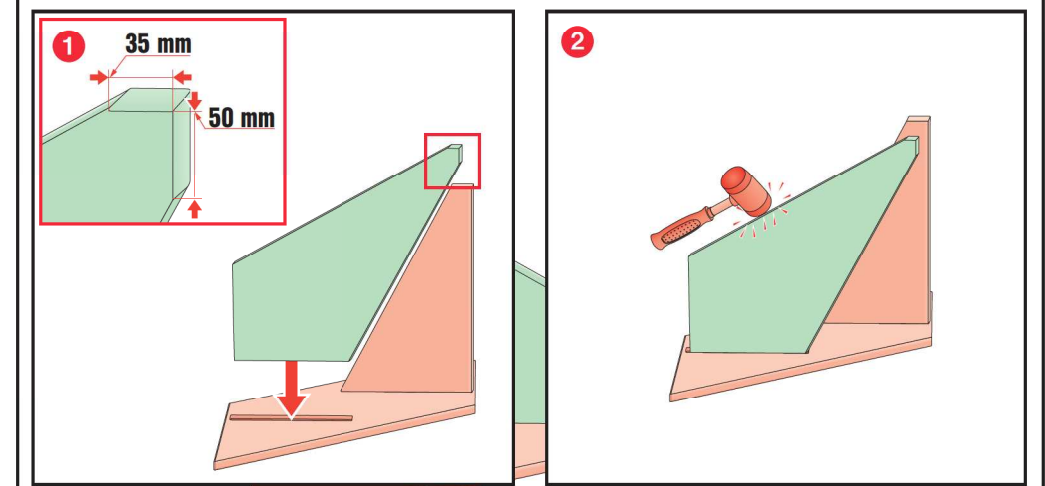
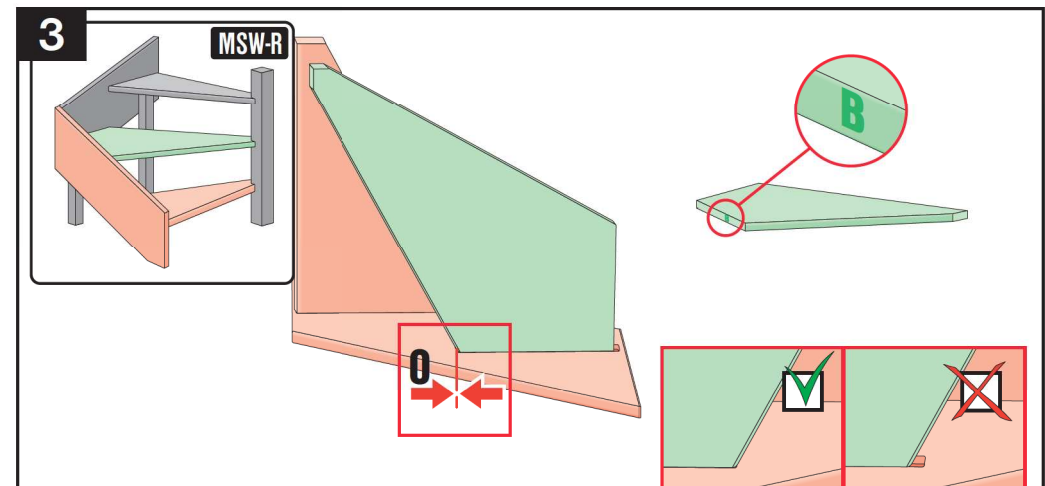
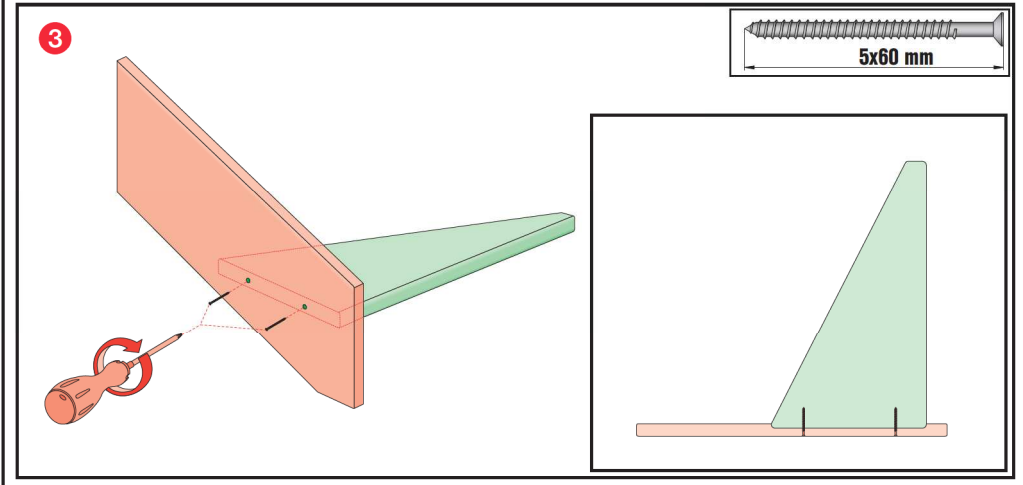
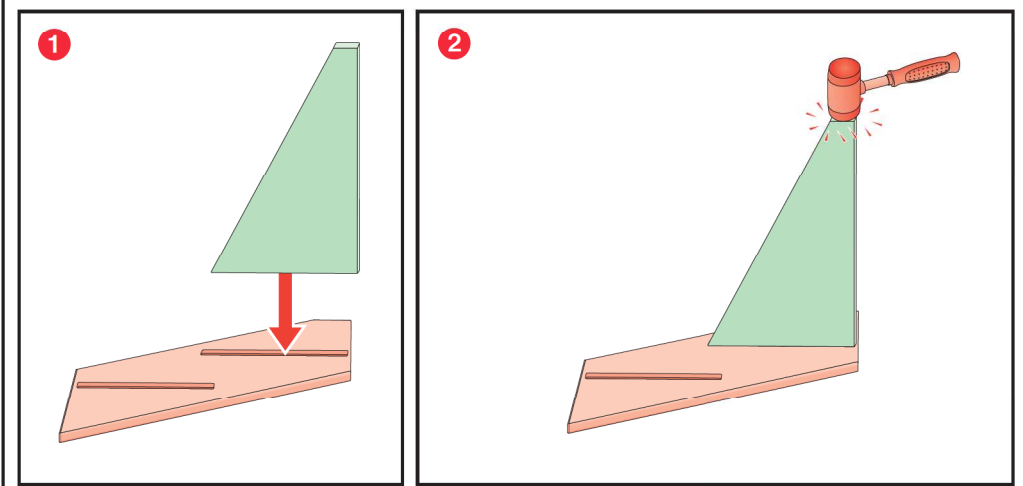
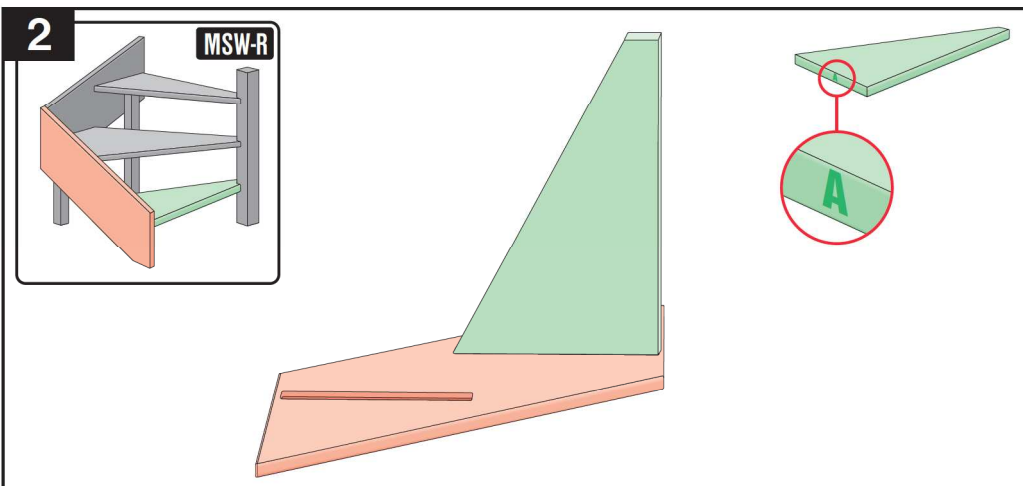


MSW-R + MSS



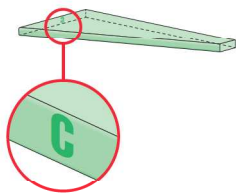
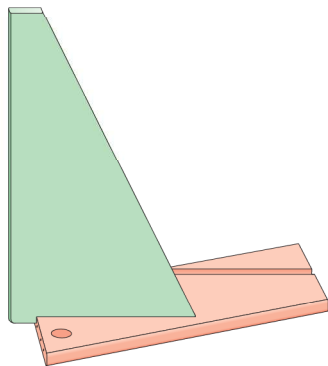
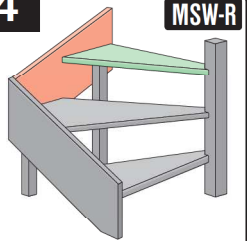
NC 9EK IM/MSWR/13.06.2016/F



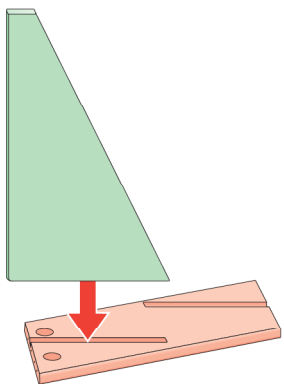


4

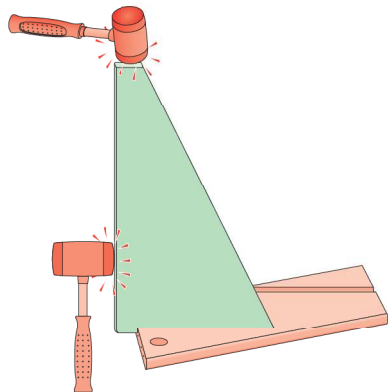
MSW-R



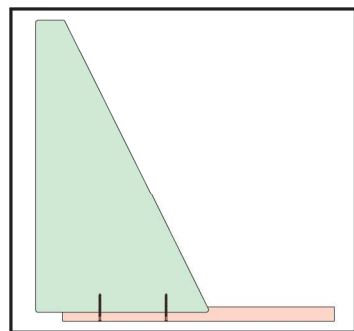
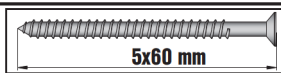
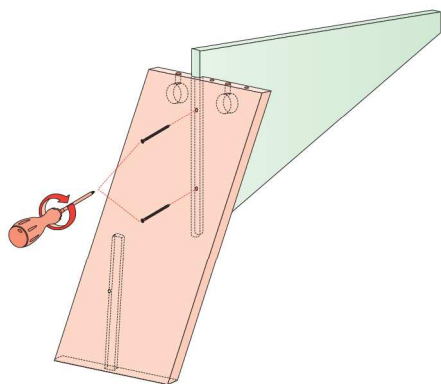
1



2



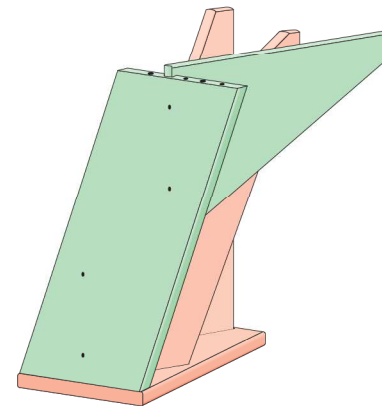
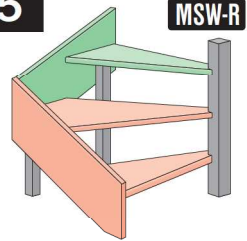
3



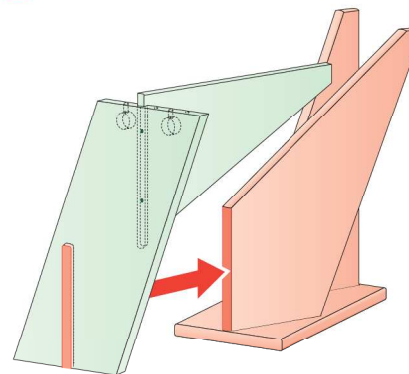
6

5

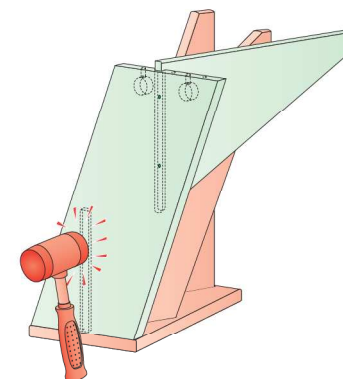
MSW-R



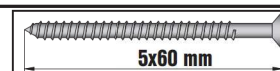
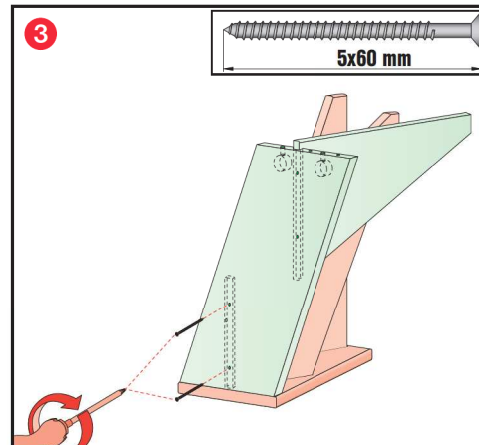
1



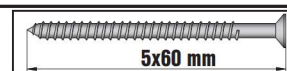
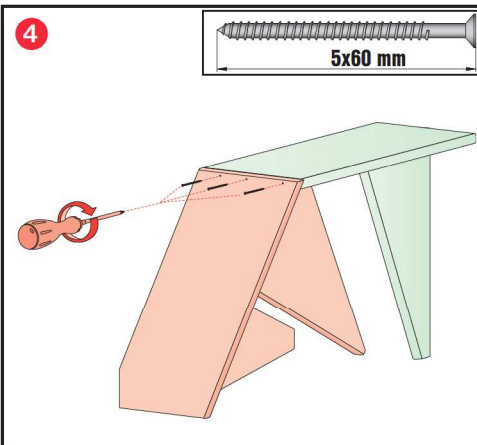
2



3



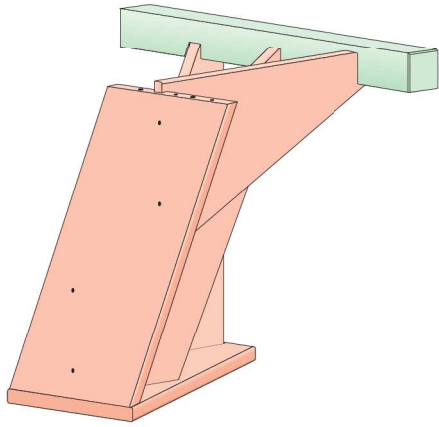
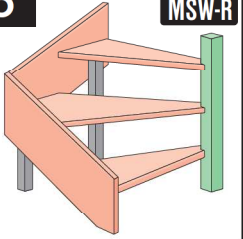
4



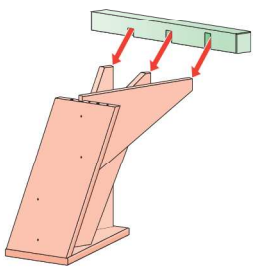
7

6

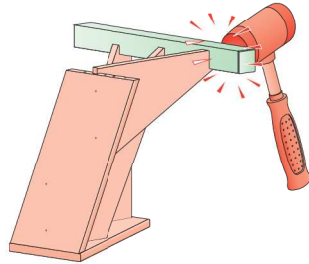
MSW-R



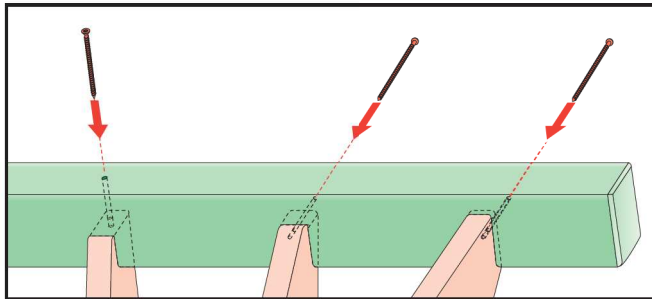
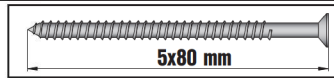
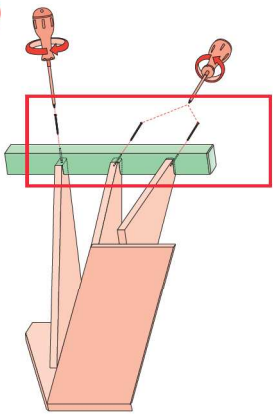
1



2



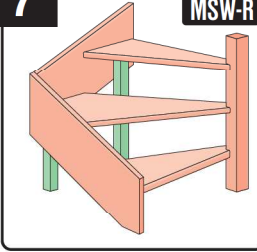
3



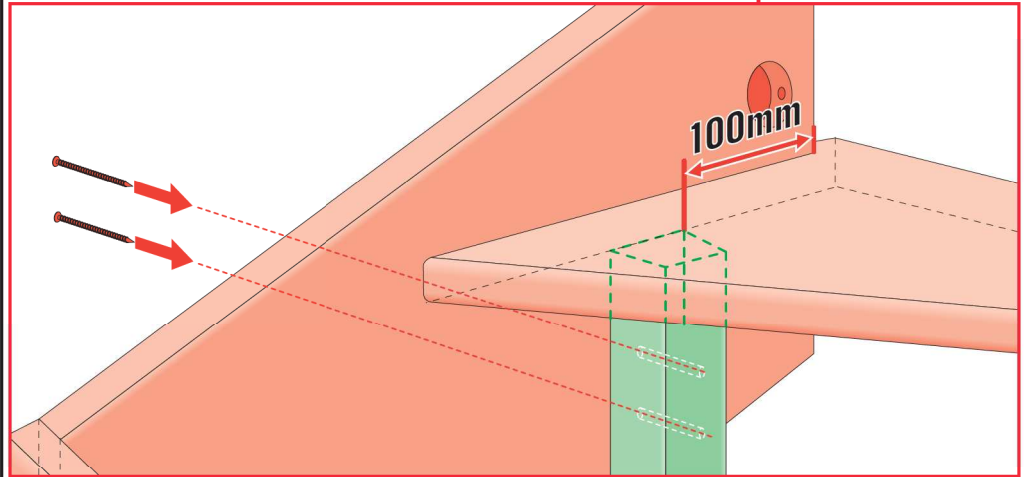
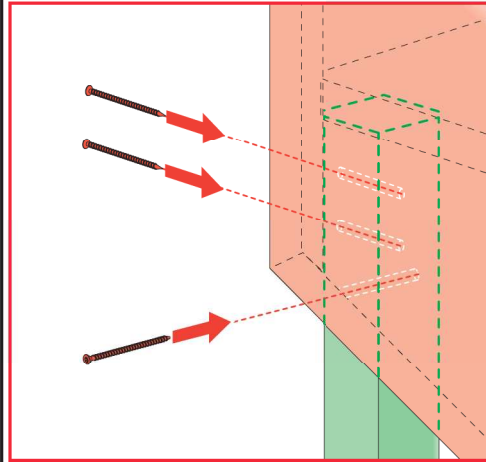
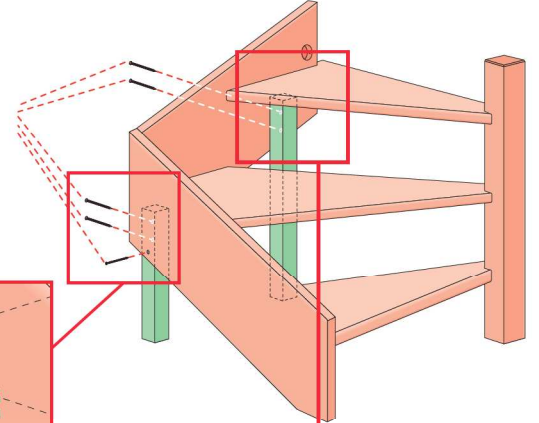
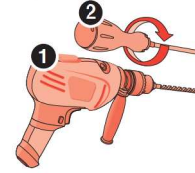
8

7

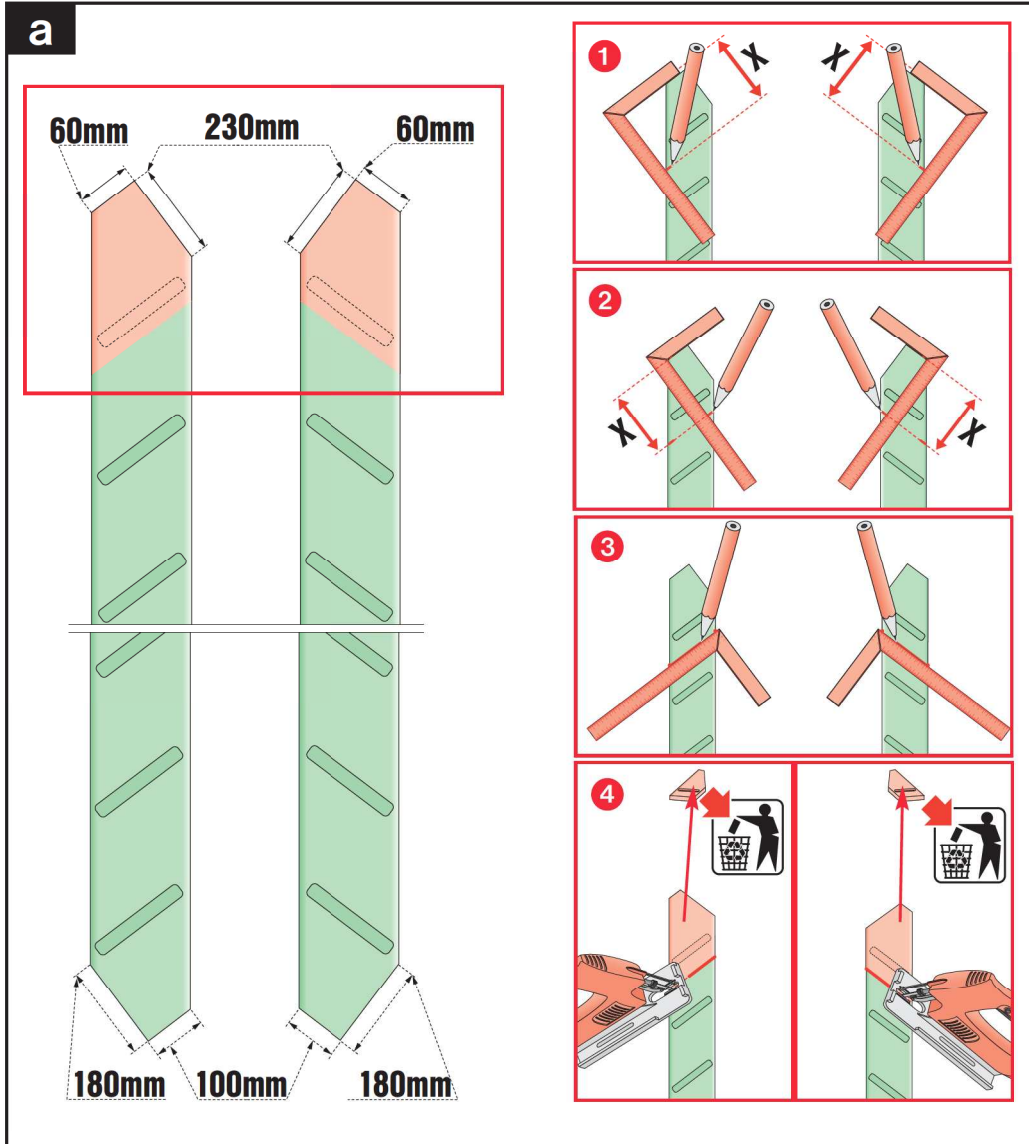
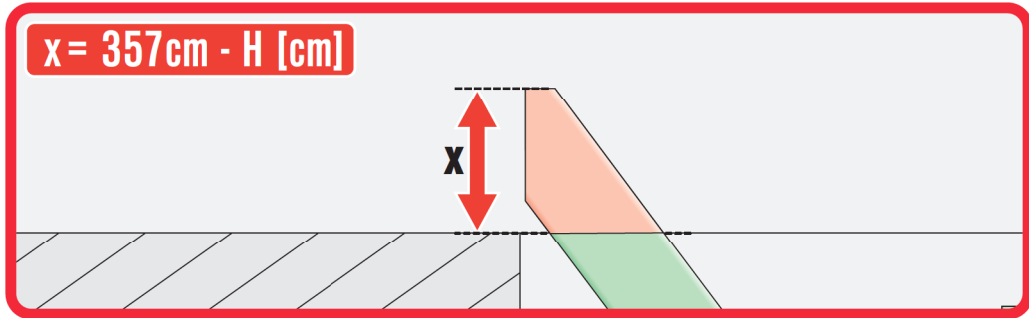
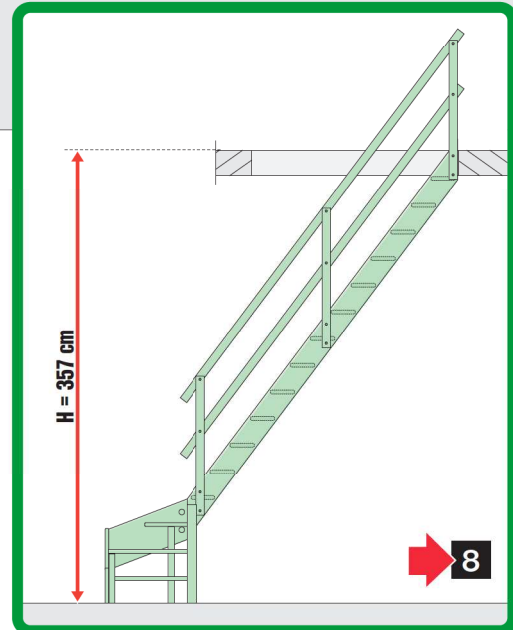
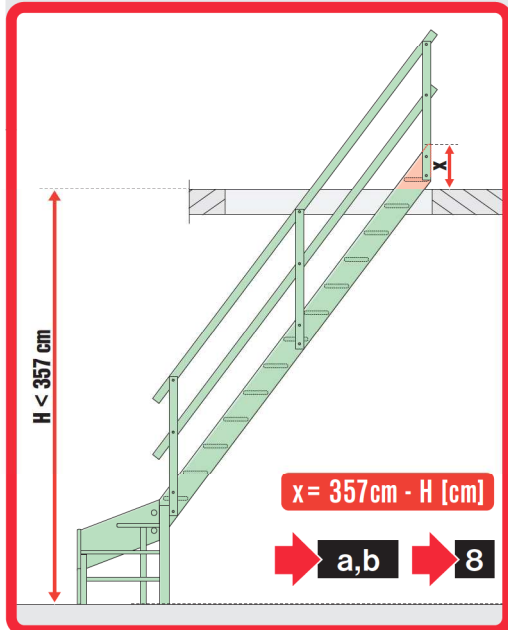
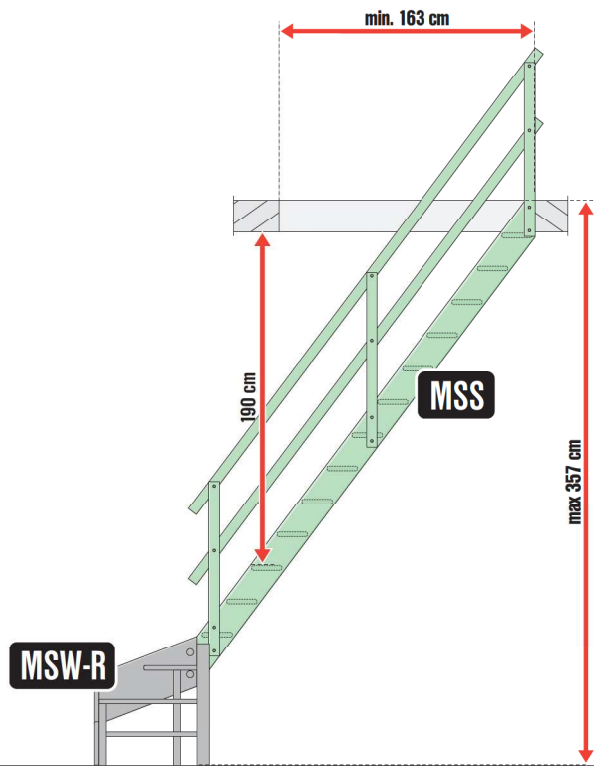
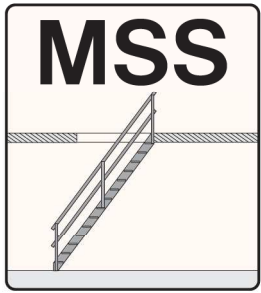
MSW-R

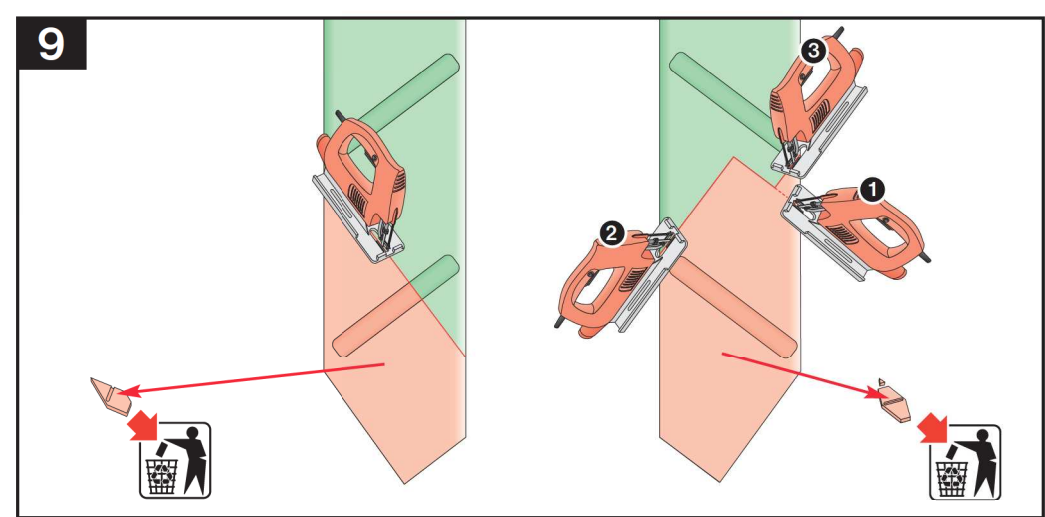
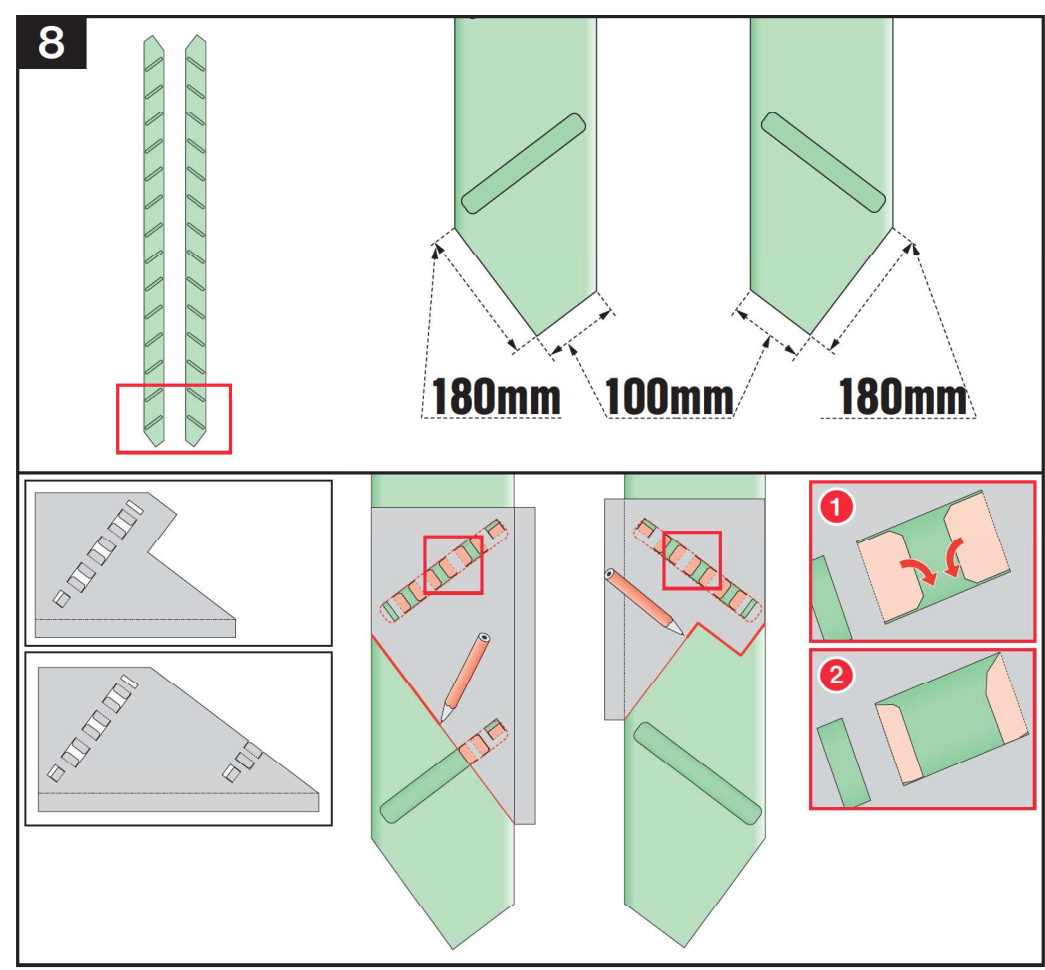
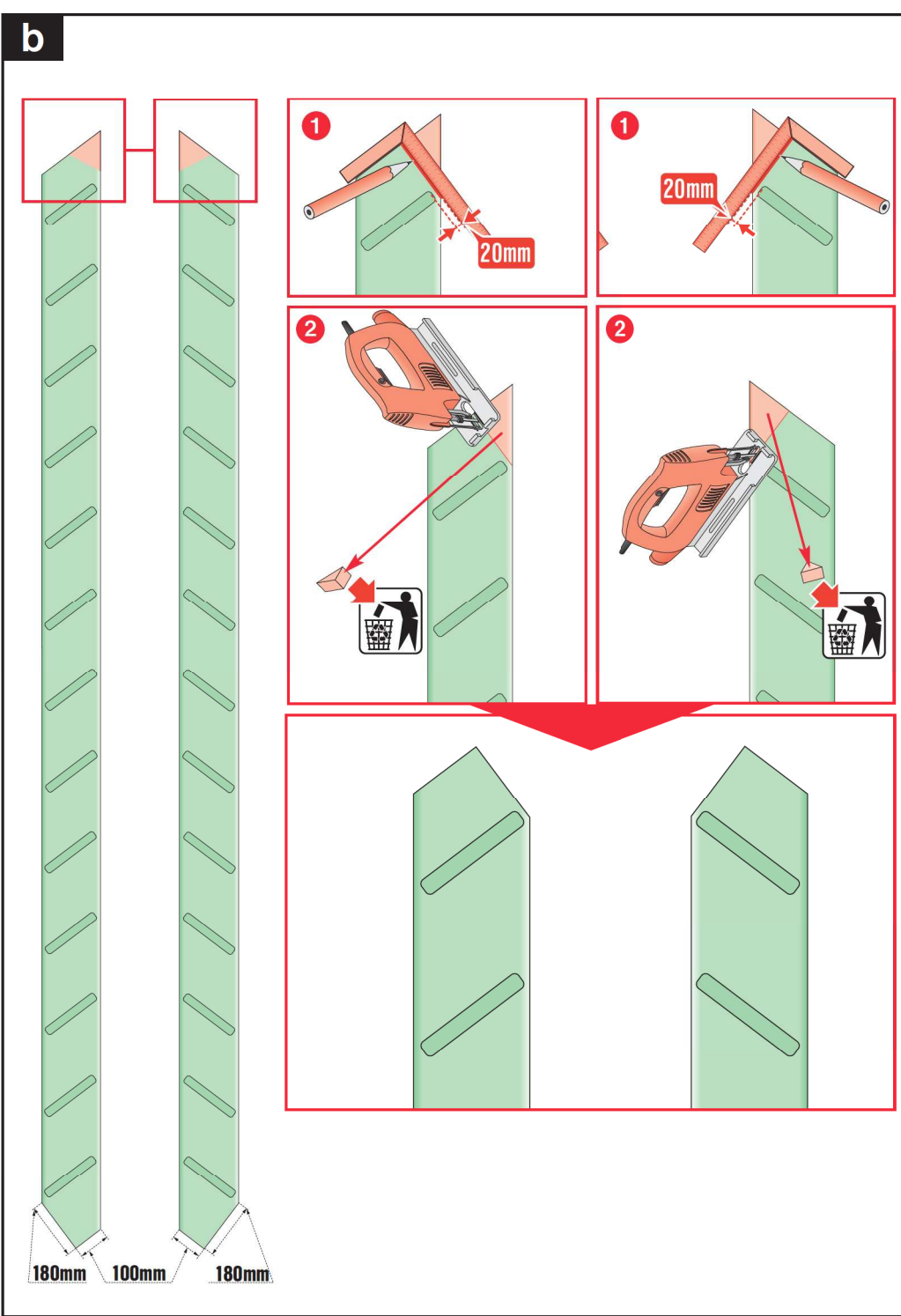


- 1 Ø 3 mm
- 2 5x60 mm

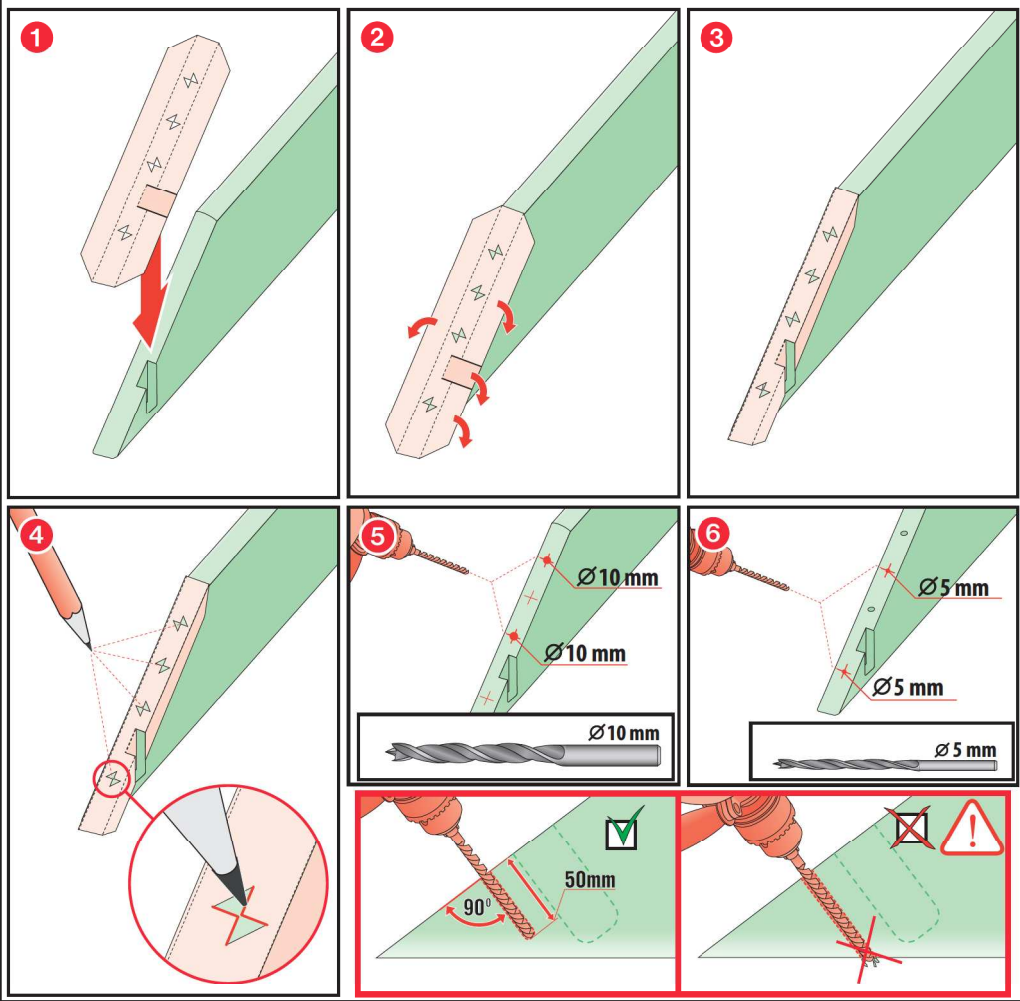
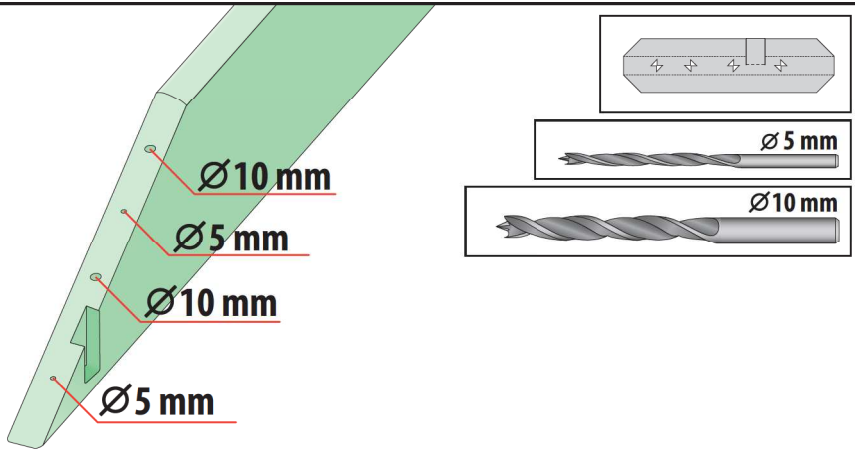


9

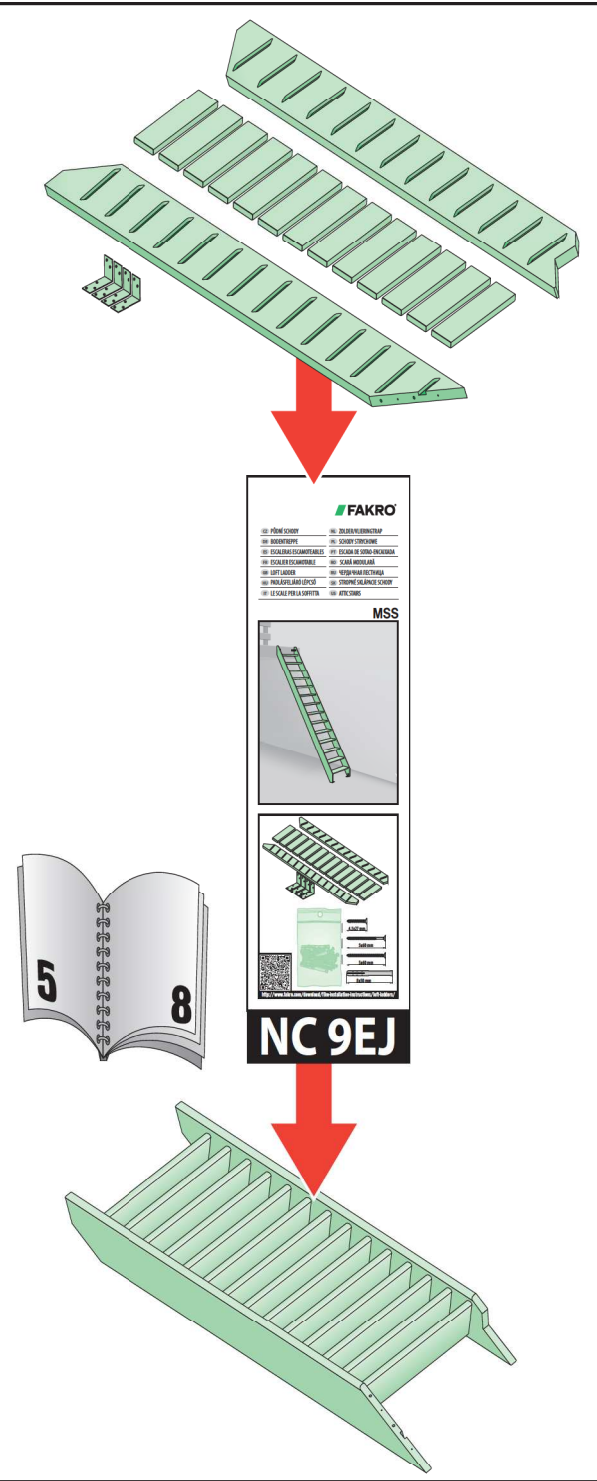




10



11



MSW-R + MSS

MSS

MSW-R

12

MSS

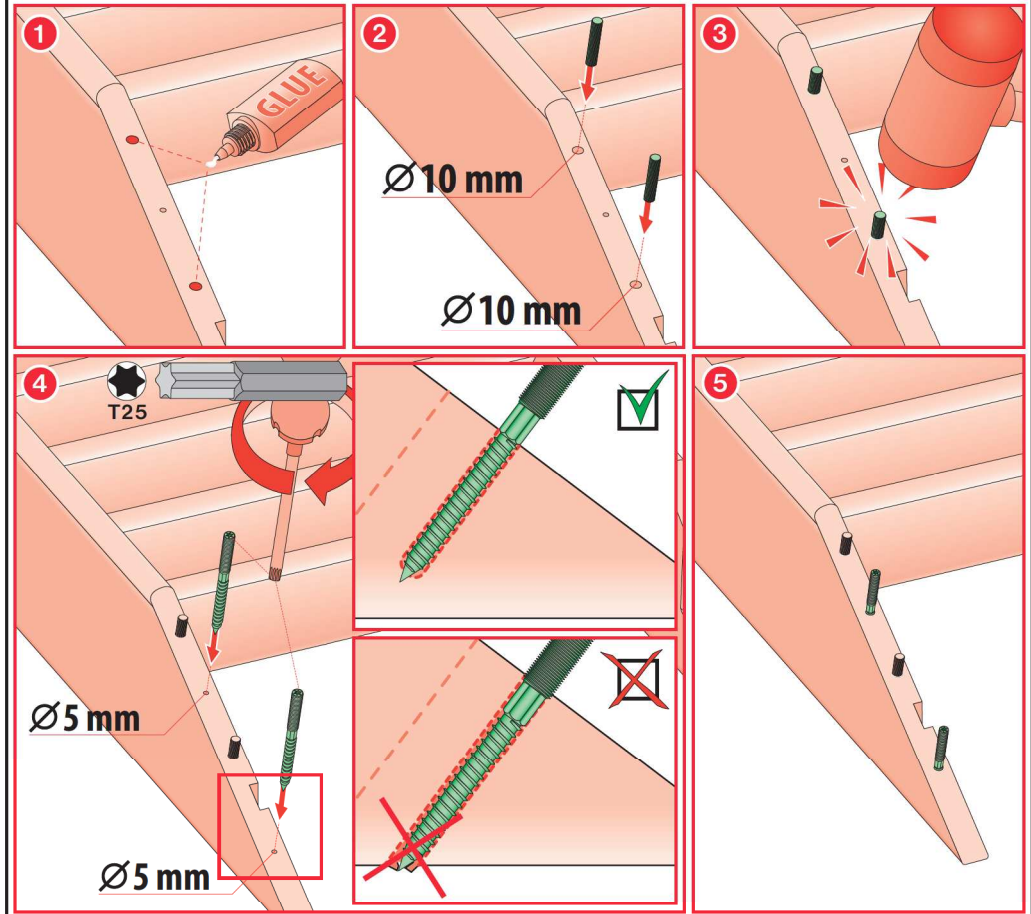
Ø10 mm

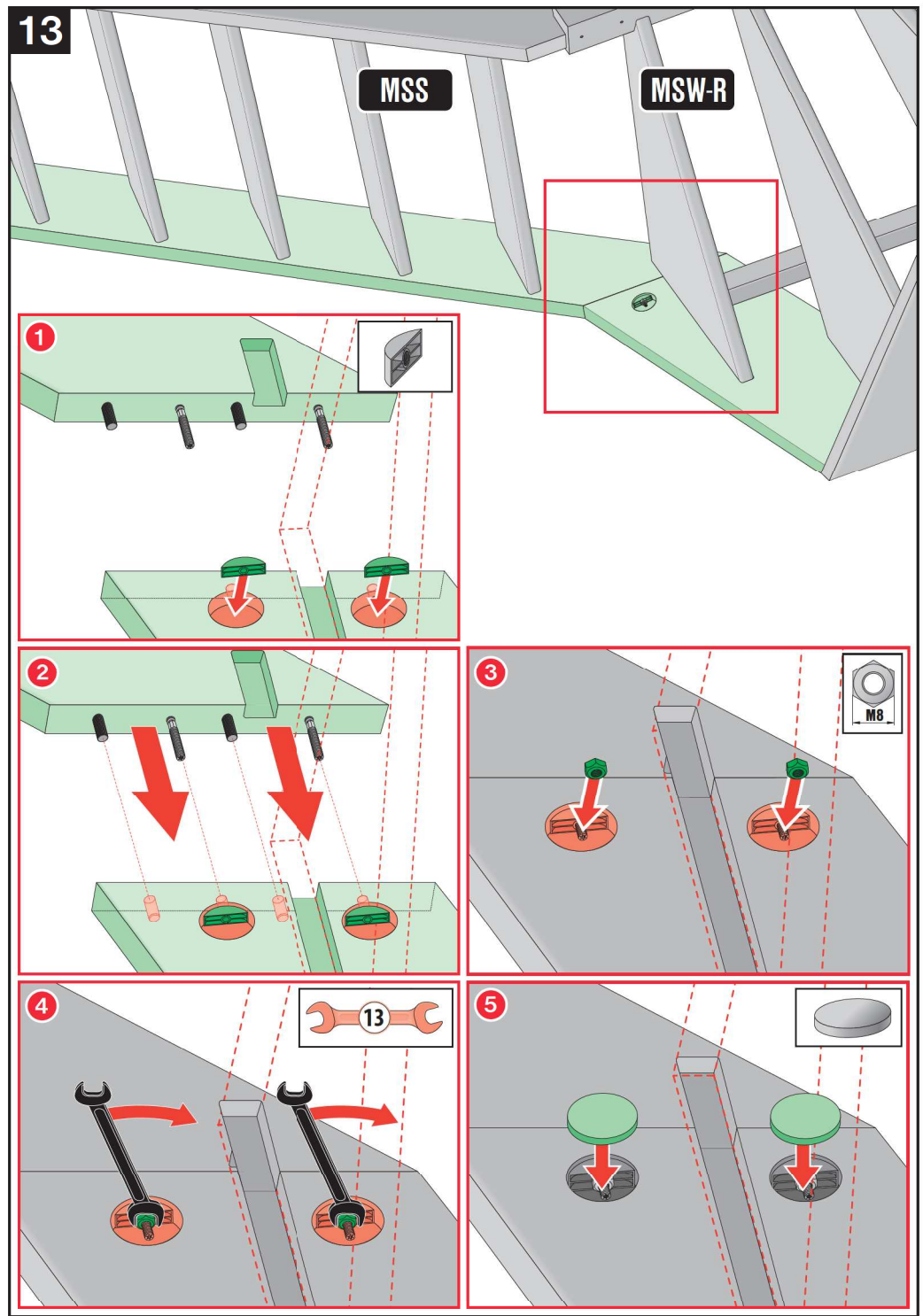
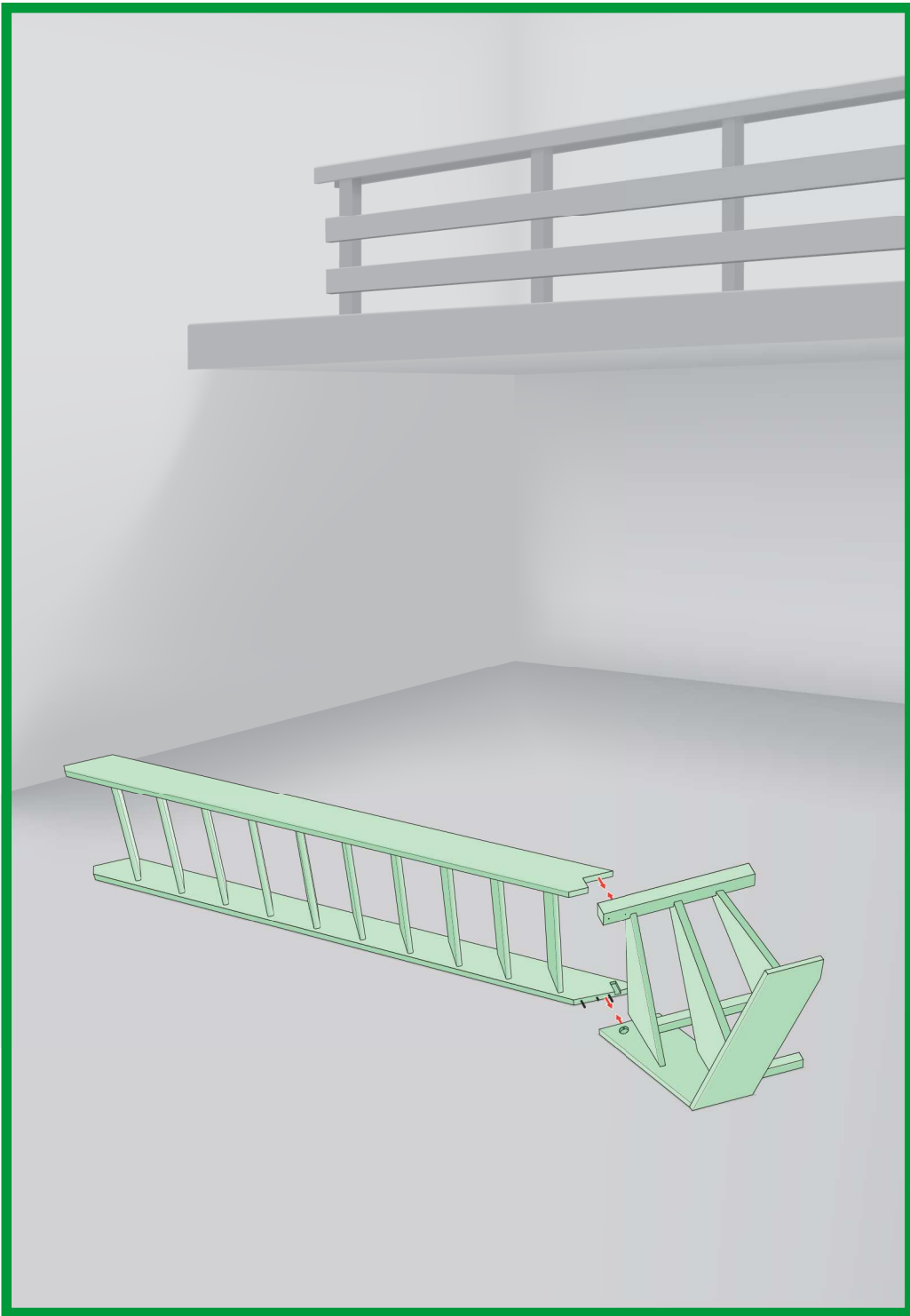
Ø5 mm

Ø10 mm

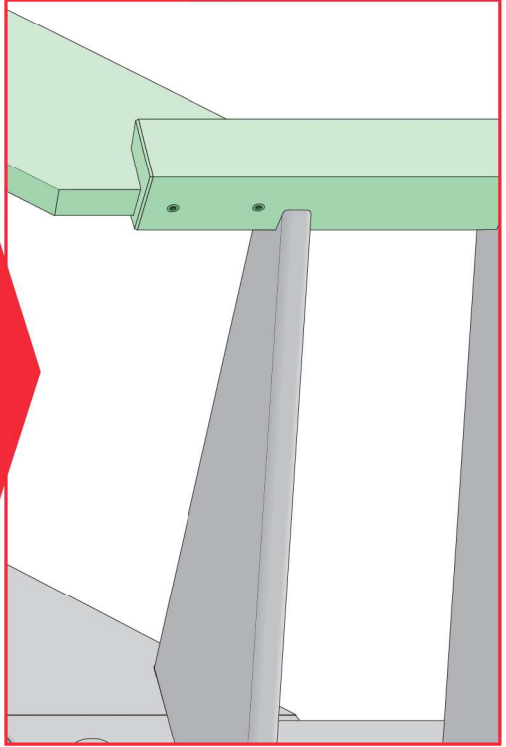
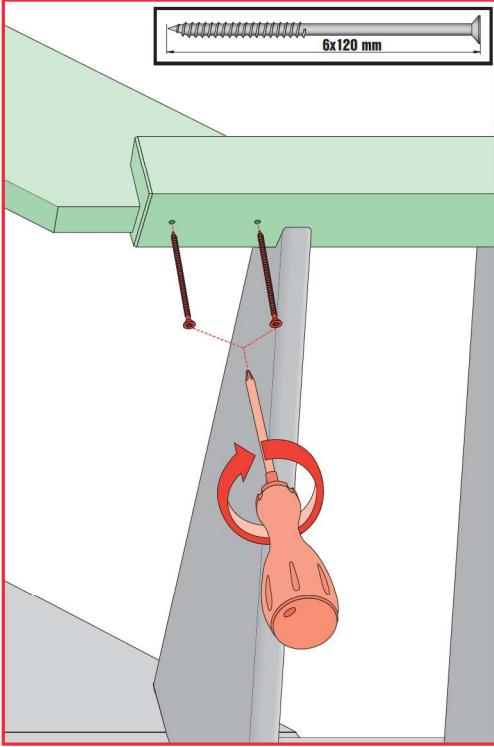
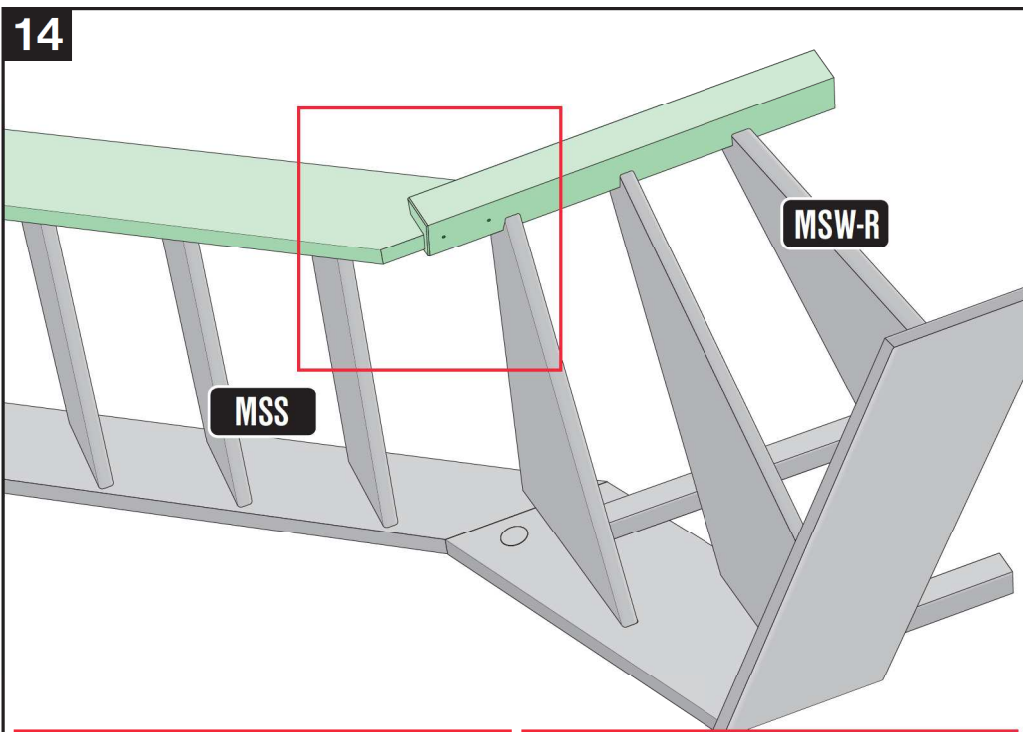
Ø5 mm

Ø10 mm

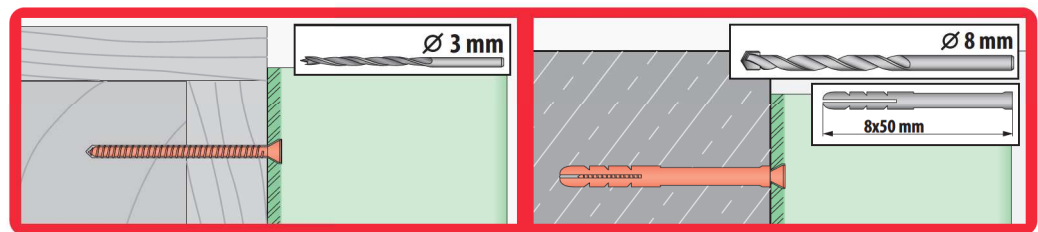




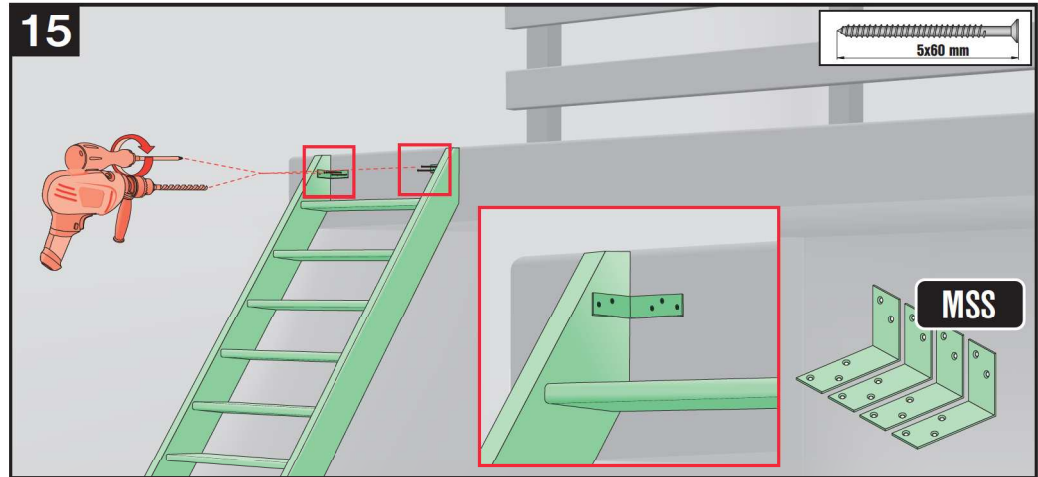
14



20



15



21

